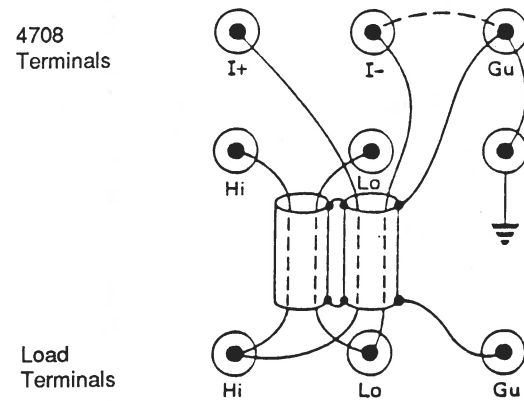


Typical Lead Connections

Voltage and Resistance Outputs

Screened 4-wire Connection.
Alternative using Twin-axial cable.

On 100V/1000V Ranges, Ground the Lo line for Safety.



Current Outputs

Simple 2-wire Connection

Use for the majority of applications where:

The E-M environment is 'quiet'.

External common-mode is insignificant.

Use for measurements in the following ranges:

Current DCI > 1mA
ACI > 100mA

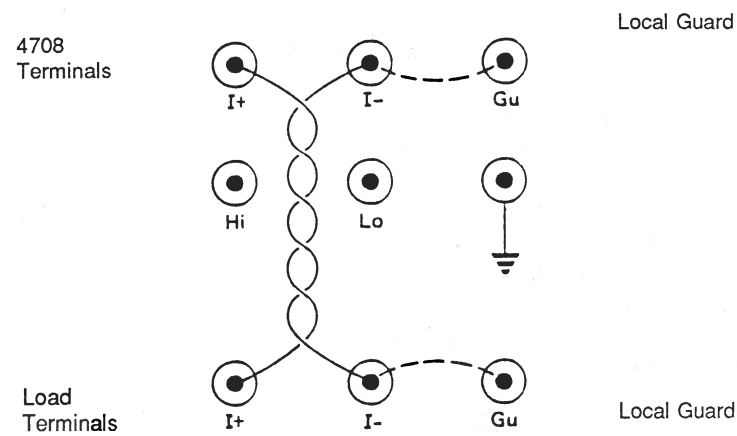
Frequency F < 5kHz

Local Sense selected automatically.

Select Local Guard.

Keep leads as short as possible, (not longer than 1 meter - twisted pair is preferable).

NOTE: Refer also to reactive load specifications in section 6.



Screened 2-wire Connection

Use where:

Sensitive measurements are being made.

The E-M environment is relatively 'noisy'.

External common-mode is significant.

Use for measurements in the following ranges:

Current DCI > 9μA
ACI > 9μA

Frequency F < 5kHz

Local Sense selected automatically.

Select Local Guard.

Keep leads as short as possible, (not longer than 1 meter - Co-ax. or Twin-ax. is preferable).

